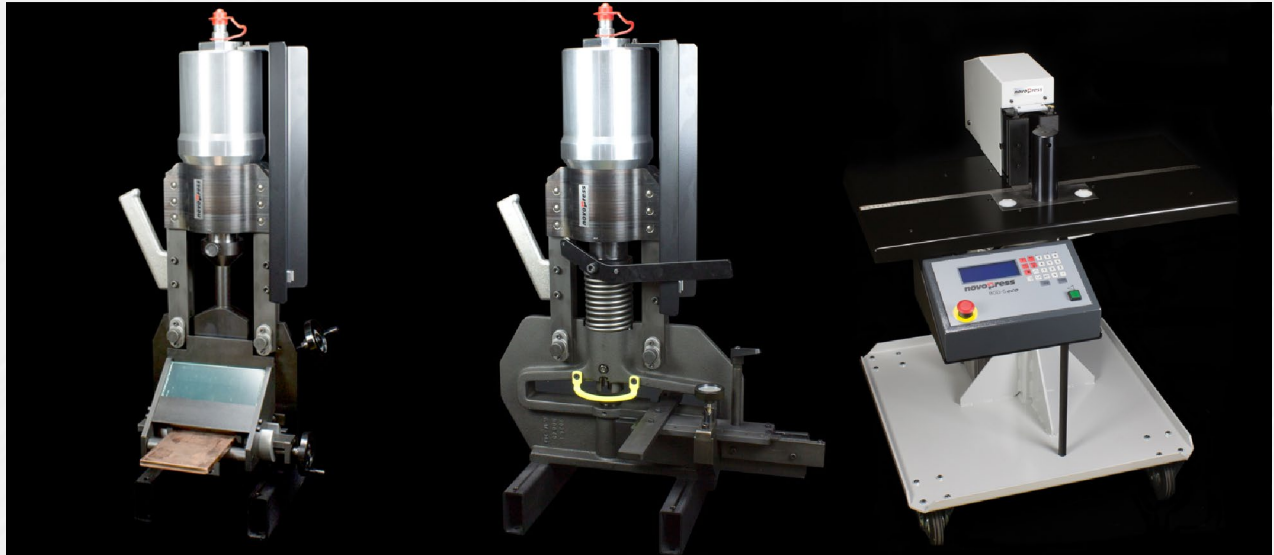


Complete Systems



Complete Systems

In addition to individual solutions for busbar fabrication we offer complete solutions in different packages.

Starting with the "Starter-System" and the "Basic-System" up to the extensive professional systems you can optimally extend your machine park for busbar fabrication.

Complete Systems

Starter-System



Starter-System

Ref.No. 39661-1

Power Pack HA 3

Ref.No. 32530

Work Cylinder

Ref.No. 2420

Cutting:

Cutting Tool 160

Ref.No. 7020

Punching:

Punching Tool 160

Ref.No. 7050

Tool insert 9.0 mm dia

Ref.No. 200090

Tool insert 11.0 mm dia

Ref.No. 200110

Tool insert 14.0 mm dia

Ref.No. 200140

Bending:

Bending Tool 120

Ref.No. 1179

Optional:

Hydraulic Stop for 1179

Ref.No. 1627

Stop Device for 7020

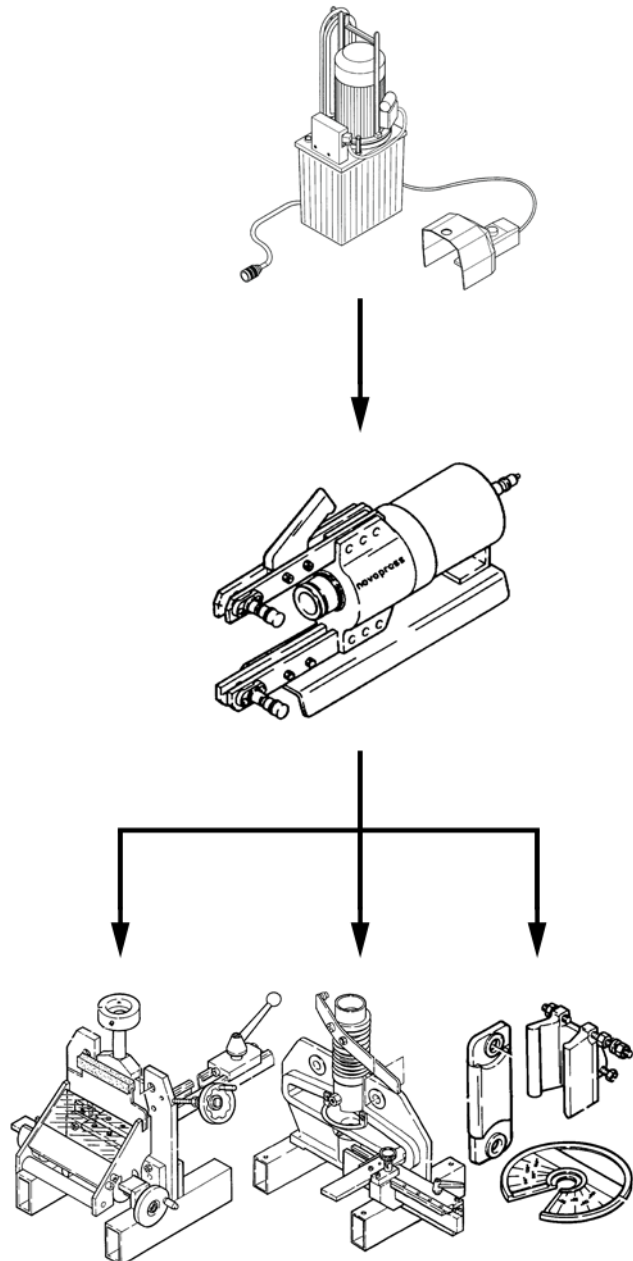
Ref.No. 6990

Vice for 7020

Ref.No. 7030

Stop Device for 7050

Ref.No. 7190





Complete Systems

Basic-System



Basic-System

Ref.No. 41431

Power Pack HA 3	Ref.No. 32530
-----------------	---------------

Work Cylinder	Ref.No. 2420
---------------	--------------

Cutting:

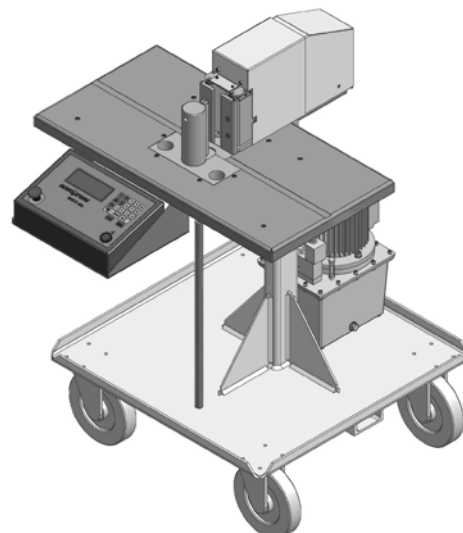
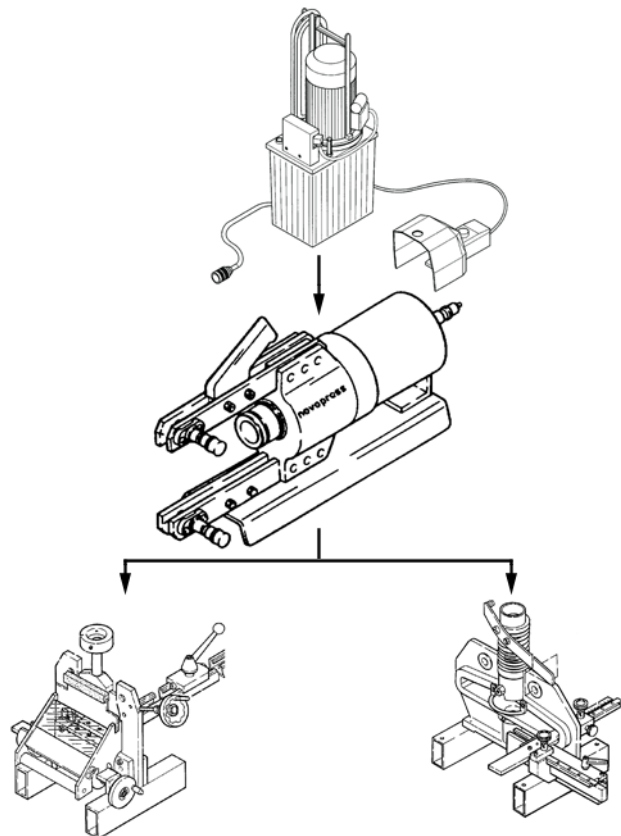
Cutting Tool 160	Ref.No. 7020
Vice for 7020	Ref.No. 7030
Stop Device for 7020	Ref.No. 6990

Punching:

Punching Tool 160 incl. Stop Device	Ref.No. 34243
Tool insert 9.0 mm dia	Ref.No. 200090
Tool insert 11.0 mm dia	Ref.No. 200110
Tool insert 14.0 mm dia	Ref.No. 200140

Bending:

BGD-5eco	Ref.No. 42380
----------	---------------





Complete Systems

Standard-System

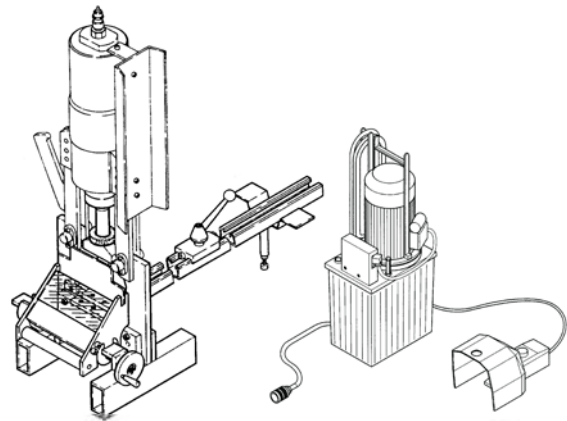


Standard-System

Ref.No. 42600

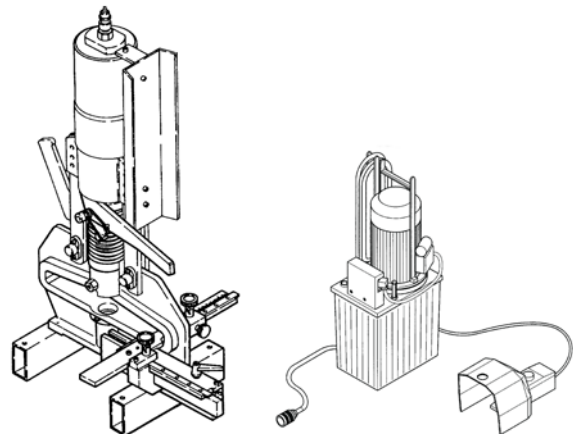
Cutting:

Power Pack HA 3	Ref.No. 32530
Work Cylinder	Ref.No. 2420
Cutting Tool 160	Ref.No. 7020
Vice for 7020	Ref.No. 7030
Stop Device for 7020	Ref.No. 6990



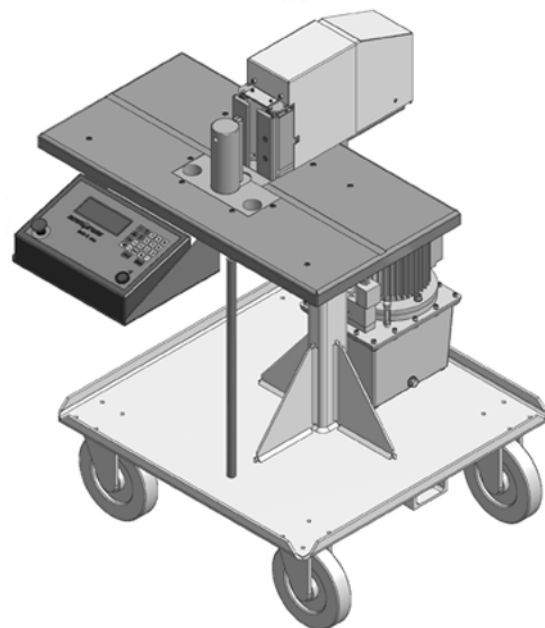
Punching:

Power Pack HA 3	Ref.No. 32530
Work Cylinder	Ref.No. 2420
Punching Tool 160 incl. Stop Device	Ref.No. 34243
Tool insert 9.0 mm dia	Ref.No. 200090
Tool insert 11.0 mm dia	Ref.No. 200110
Tool insert 14.0 mm dia	Ref.No. 200140



Bending:

BGD-5eco	Ref.No. 42380
----------	---------------



Complete Systems

Profi-System I



Profi-System I

Ref.No. 40742

Cutting:

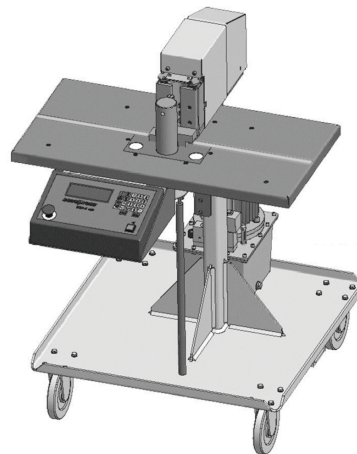
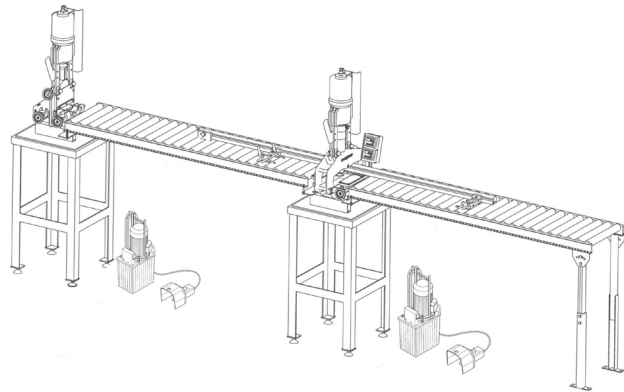
Power Pack HA 3	Ref.No. 32530
Work Cylinder	Ref.No. 2420
Cutting Tool 160	Ref.No. 7020
Conveyor 400 x 2000mm incl. stop device	Ref.No. 16911-01
Vice for 7020	Ref.No. 7030
Workbench	Ref.No. 32936

Punching:

Power Pack HA 3	Ref.No. 32530
Work Cylinder	Ref.No. 2420
DigiPunch 160 incl. digital measurement device X/Y-axis	Ref.No. 40800
Conveyor 400 x 2000mm	Ref.No. 16911
Workbench	Ref.No. 32936
Tool insert 9.0 mm dia	Ref.No. 800090
Tool insert 11.0 mm dia	Ref.No. 800110
Tool insert 14.0 mm dia	Ref.No. 800140

Bending:

BGD-5eco	Ref.No. 42380
----------	---------------



Complete Systems

Profi-System I

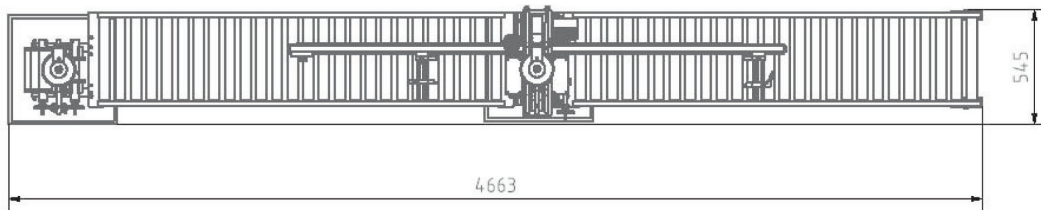


Profi-System I

Ref.No. 40742

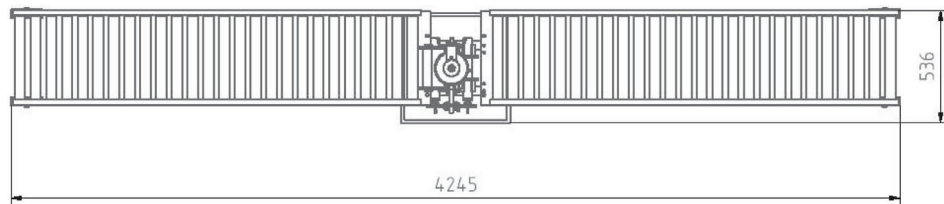
Space requirements for "in-line" installation

Cutting Tool 160 and DigiPunch 160

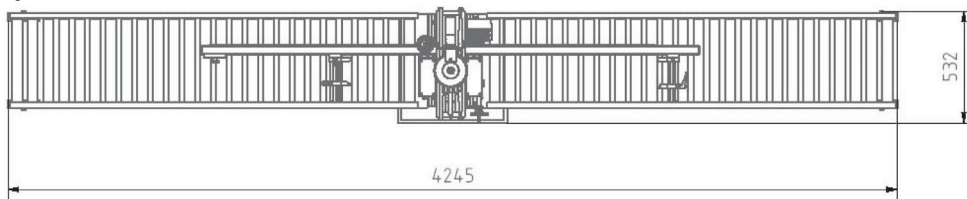


Space requirements for "parallel" installation

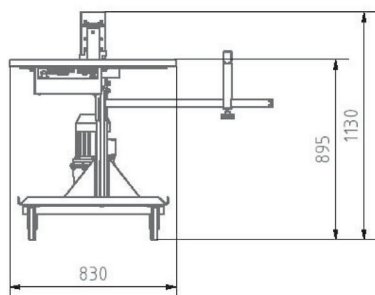
Cutting Tool 160



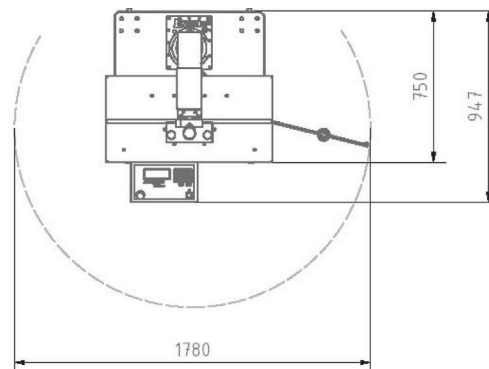
DigiPunch 160



BGD-5eco



BGD-5eco Top





Complete Systems

Profi-System II



Profi-System II

Ref.No. 41430

Cutting:

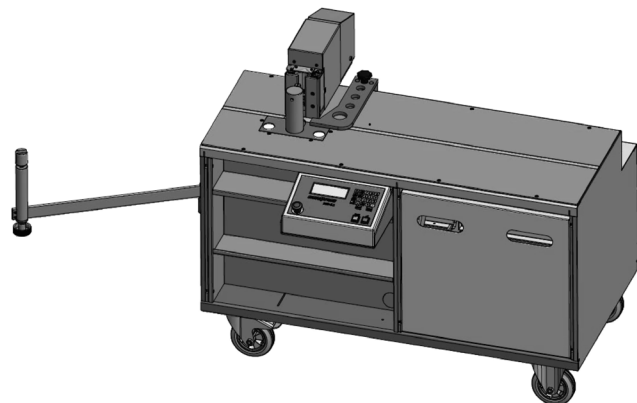
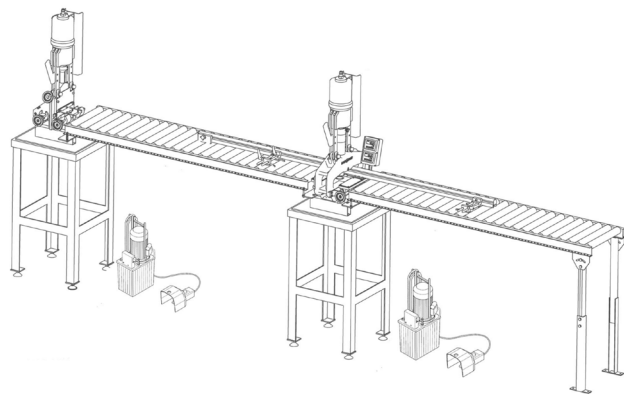
Power Pack HA 3	Ref.No. 32530
Work Cylinder	Ref.No. 2420
Cutting Tool 160	Ref.No. 7020
Conveyor 400 x 2000mm incl. stop device	Ref.No. 16911-01
Vice for 7020	Ref.No. 7030
Workbench	Ref.No. 32936

Punching:

Power Pack HA 3	Ref.No. 32530
Work Cylinder	Ref.No. 2420
DigiPunch 160 incl. digital measurement device x / y-axis	Ref.No. 40800
Conveyor 400 x 2000mm	Ref.No. 16911
Workbench	Ref.No. 32936
Tool insert 9.0 mm dia	Ref.No. 200090
Tool insert 11.0 mm dia	Ref.No. 200110
Tool insert 14.0 mm dia	Ref.No. 200140

Bending:

Bending bench BGD-5.1 160 digital with automatic length stop	Ref.No. 45640
--------------------------------------------------------------------	---------------



Complete Systems

Profi-System II

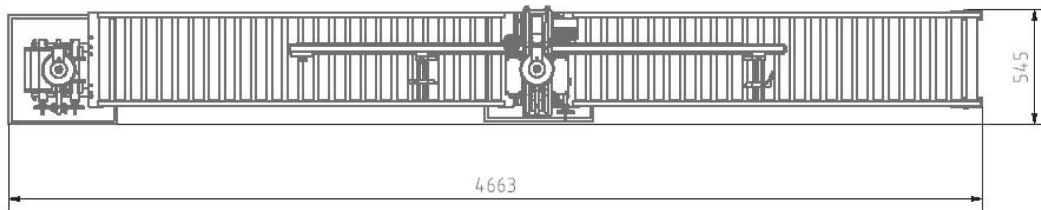


Profi-System II

Ref.No. 41430

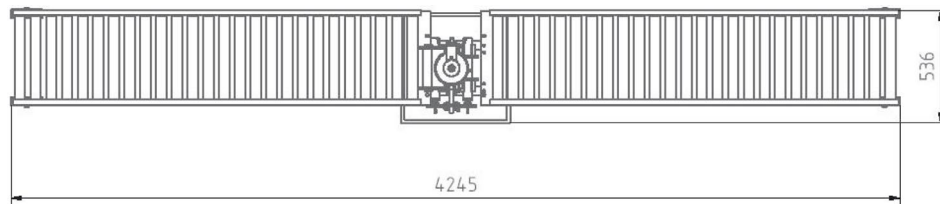
Space requirements for "in-line" installation

Cutting Tool 160 and DigiPunch 160

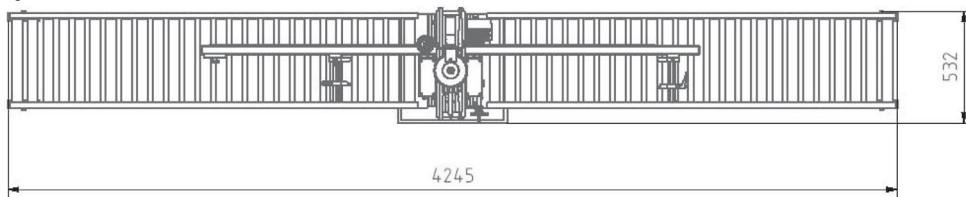


Space requirements for "parallel" installation

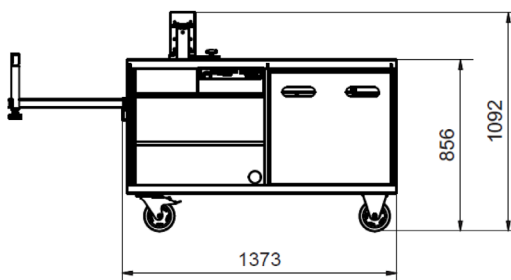
Cutting Tool 160



DigiPunch 160



BGD-5.1



BGD-5.1 Top

